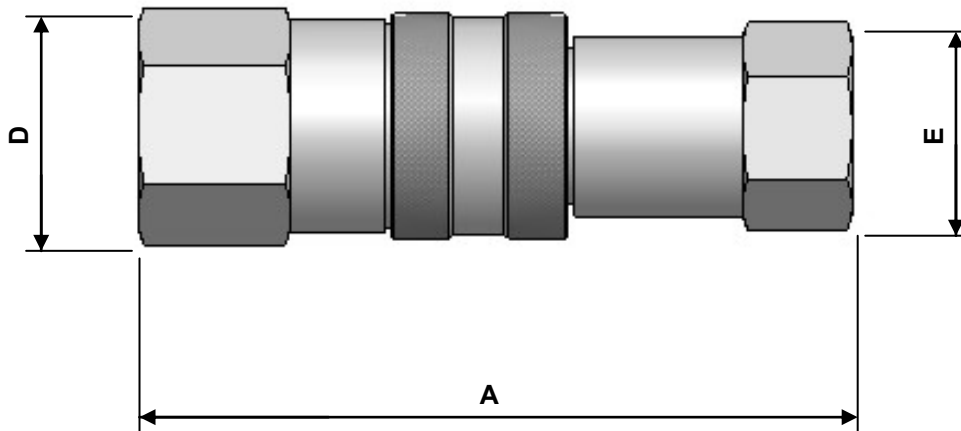
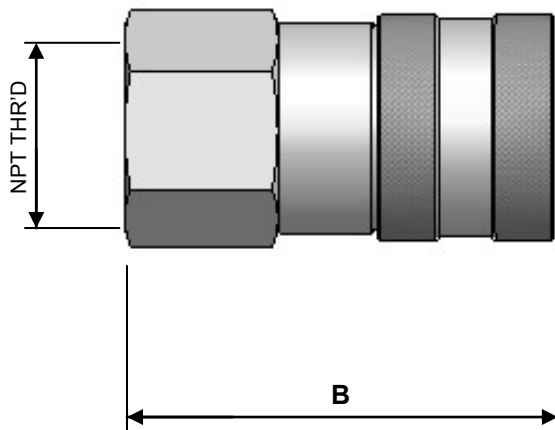


QR9 HIGH PRESSURE QUICK RELEASE COUPLING

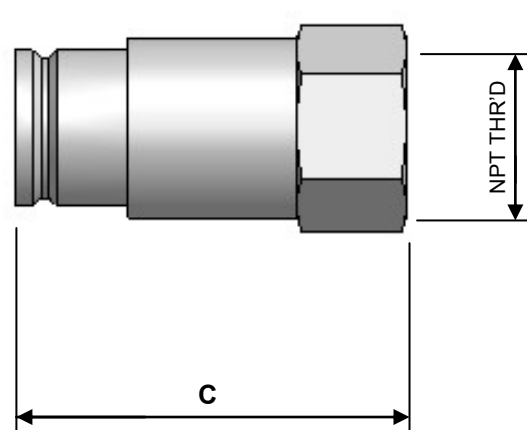
MATED COUPLING



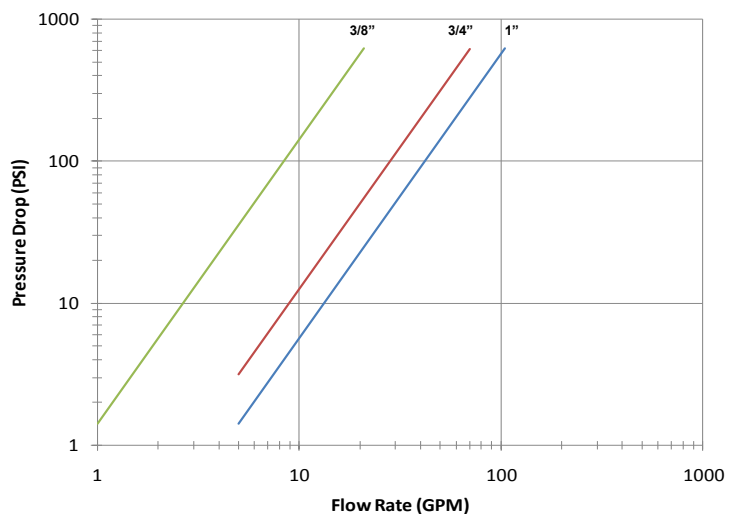
FEMALE COUPLING



MALE COUPLING



- Material: Stainless Steel 316 / Alloy K500
- Full range of elastomeric seals available to suit service
- Also available with BSPT connections
- Completely serviceable, all components can be replaced



COUPLING SIZE	WORKING PRESSURE	COMPLETE COUPLING PART NO.	FEMALE COUPLING PART NO.	MALE COUPLING PART NO.	NPT FEM THRD	A	B	C	D	E
3/8	9000 psi	QR9AC5-06SS	QR9AFBC5-06SS	QR9AMBC5-06SS	3/8"	5.488"	2.986"	3.317"	1.625"	1.500"
3/4	5000 psi	QR9AC5-12SS	QR9AFBC5-12SS	QR9AMBC5-12SS	3/4"	6.585"	3.640"	3.706"	1.968"	1.625"
1	4000 psi	QR9AC5-16SS	QR9AFBC5-16SS	QR9AMBC5-16SS	1"	7.175"	3.480"	4.126"	2.000"	1.750"