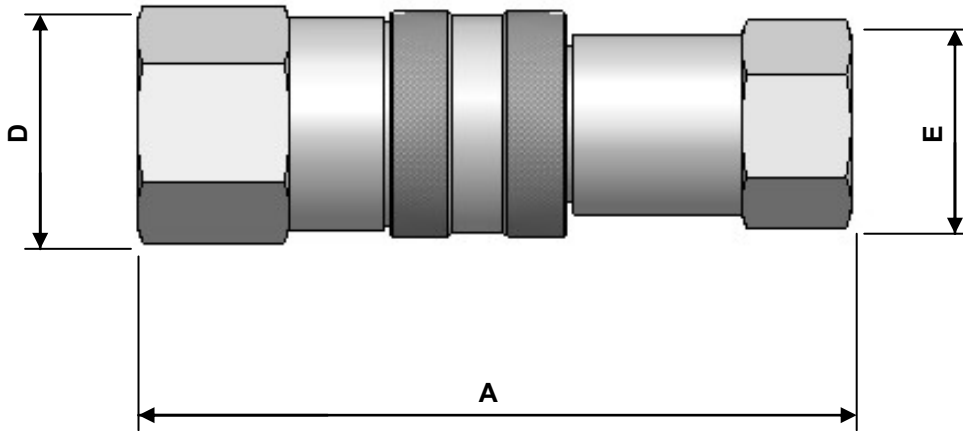
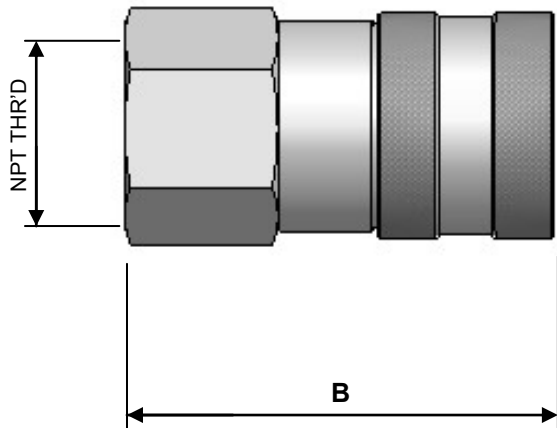


## QR8 LOW PRESSURE QUICK RELEASE COUPLING

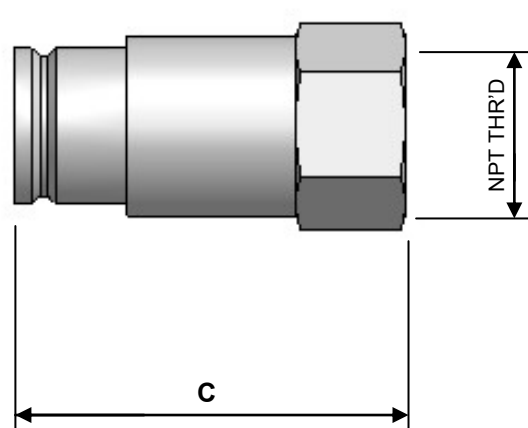
### MATED COUPLING



### FEMALE COUPLING



### MALE COUPLING

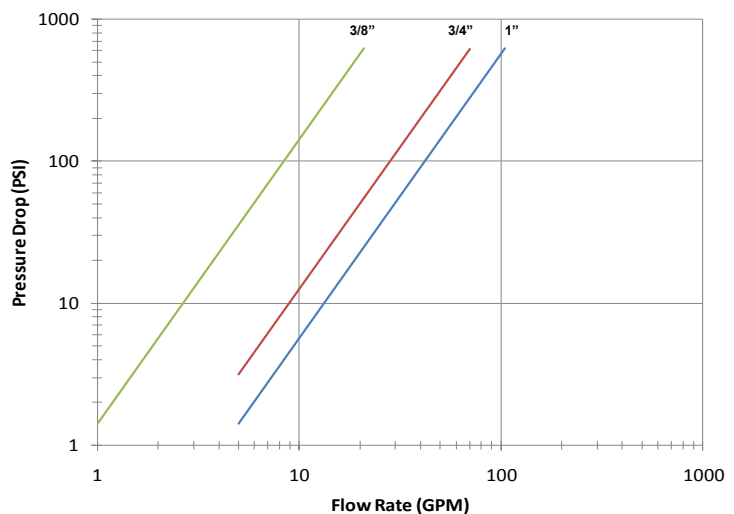


Material: Stainless Steel 316

Full range of elastomeric seals available to suit service

Also available with BSPT connections

Completely serviceable, all components can be replaced



COUPLING SIZE	WORKING PRESSURE	COMPLETE COUPLING PART NO.	FEMALE COUPLING PART NO.	MALE COUPLING PART NO.	NPT FEM THRD	A	B	C	D	E
3/8	300 psi	QR8AC5-06SS	QR8AFBC5-06SS	QR8AMBC5-06SS	3/8"	5.488"	2.986"	3.317"	1.625"	1.500"
3/4	300 psi	QR8AC5-12SS	QR8AFBC5-12SS	QR8AMBC5-12SS	3/4"	6.585"	3.640"	3.706"	1.968"	1.625"
1	300 psi	QR8AC5-16SS	QR8AFBC5-16SS	QR8AMBC5-16SS	1"	7.175"	3.480"	4.126"	2.000"	1.750"