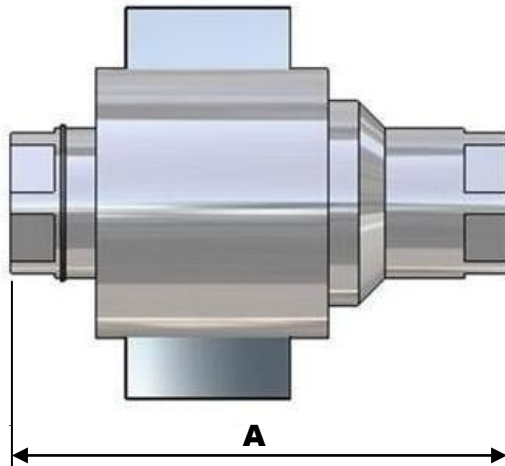


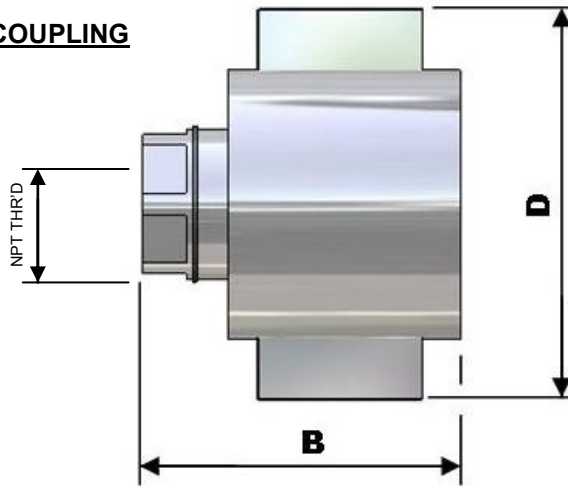
## QR74 HIGH PRESSURE QUICK RELEASE COUPLING

### MATED COUPLING

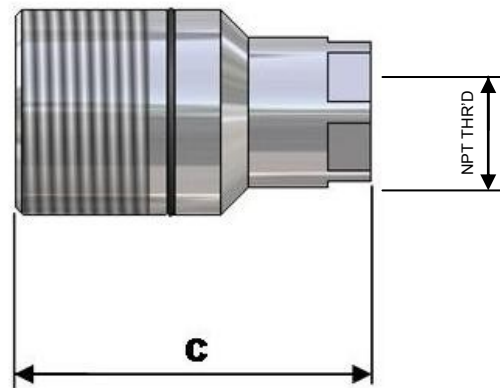


COUPLING SIZE	NPT FEM THRD	A	B	C	D
3/8	3/8"	3.334"	2.332"	2.983"	3.000"
1/2	1/2"	4.330"	2.790"	3.386"	4.250"
3/4	3/4"	5.000"	3.111"	3.898"	4.750"
1	1"	6.000"	3.269"	4.694"	4.750"
1.1/4	1.1/4"	6.614"	3.955"	5.275"	5.750"
1.1/2	1.1/2"	7.645"	4.552"	5.064"	5.500"
2	2"	9.054"	5.175"	7.768"	7.250"

### FEMALE COUPLING



### MALE COUPLING



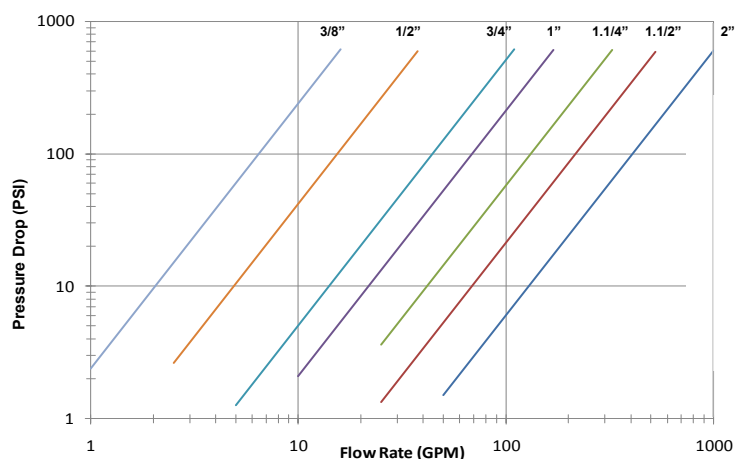
#### Design Features:

- Fire Rated by Lloyds Register of Shipping to 700°C
- NPT Female connections
- Completely serviceable, all components can be replaced

#### Materials: (standard coupling)

- Stainless Steel Grade 316L
- Viton Seals

Also available in Hex Nut style, other body and seal materials—details on request



COUPLING SIZE	COMPLETE COUPLING PART NO.	FEMALE COUPLING PART NO.	MALE COUPLING PART NO.	MAX. OPERATING PRESSURE	MIN. BURST PRESSURE
3/8	QR74AC5-06	QR74AFBC5-06	QR74AMBC5-06	5000 psi 345 bar	26000 psi 1730 bar
1/2	QR74AC5-08	QR74AFBC5-08	QR74AMBC5-08	5000 psi 345 bar	24000 psi 1600 bar
3/4	QR74SAC5-12	QR74SAFBC5-12	QR74SAMBC5-12	5000 psi 345 bar	19500 psi 1300 bar
1	QR74S1AC5-16	QR74S1AFBC5-16	QR74S1AMBC5-16	5000 psi 345 bar	18000 psi 1200 bar
1.1/4	QR74S1AC5-20	QR74S1AFBC5-20	QR74S1AMBC5-20	5000 psi 345 bar	15000 psi 1000 bar
1.1/2	QR74S1AC5-24	QR74S1AFBC5-24	QR74S1AMBC5-24	5000 psi 345 bar	14000 psi 930 bar
2	QR74S1AC5-32	QR74S1AFBC5-32	QR74S1AMBC5-32	3000 psi 207 bar	13500 psi 900 bar