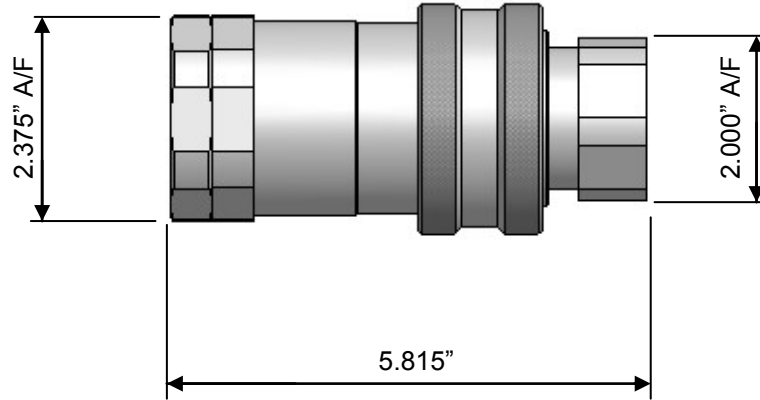
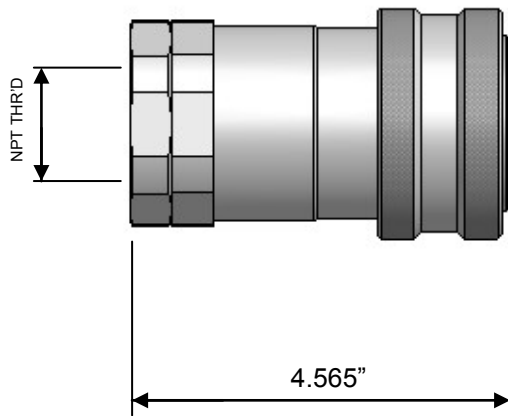


QR5 HIGH PRESSURE QUICK RELEASE COUPLING

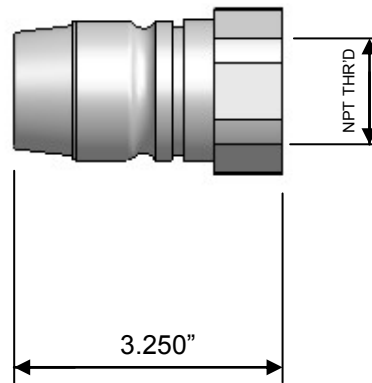
MATED COUPLING



FEMALE COUPLING



MALE COUPLING

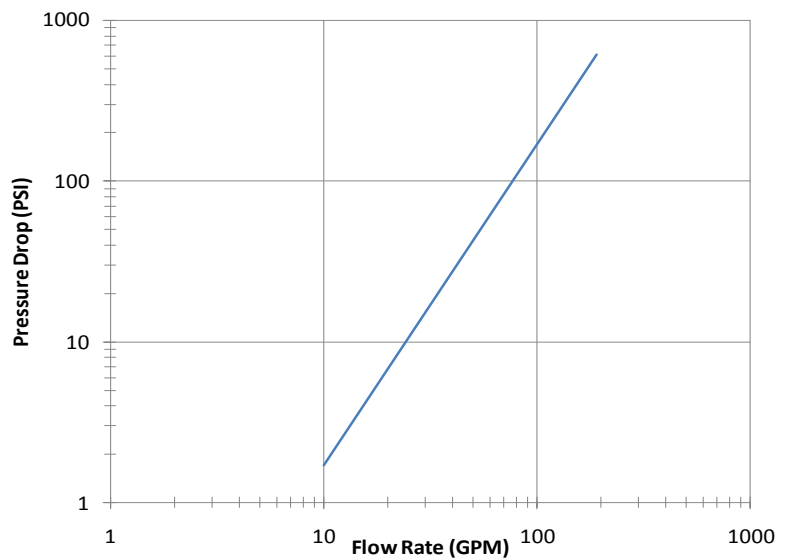


Material: Stainless Steel 316 / 174-PH
Max Working Pressure: 5000 psi
Min Burst Pressure: 12500 psi

Full range of elastomeric seals available to suit service

Also available with BSPT connections

Completely serviceable, all components can be replaced



COUPLING SIZE	COMPLETE COUPLING PART NO.	FEMALE COUPLING PART NO.	MALE COUPLING PART NO.	NPT FEM THRD
1"	QR5AC5-16S4	QR5AFBC5-16S4	QR5AMBC5-16S4	1"