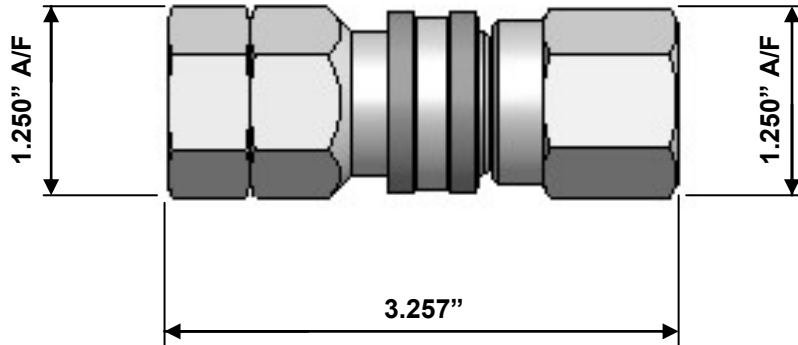
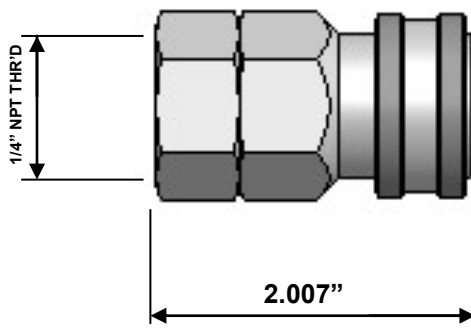


QR10 HIGH PRESSURE QUICK RELEASE COUPLING

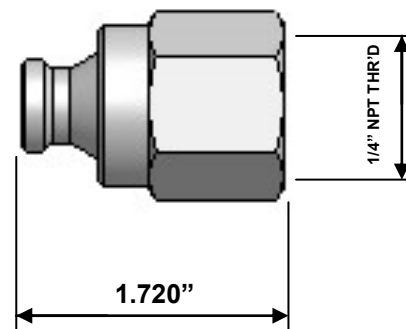
MATED COUPLING



FEMALE COUPLING



MALE COUPLING



Design Features:

Material: Stainless Steel 316
Working Pressure: 10000 psi
Min Burst Pressure: 32000 psi

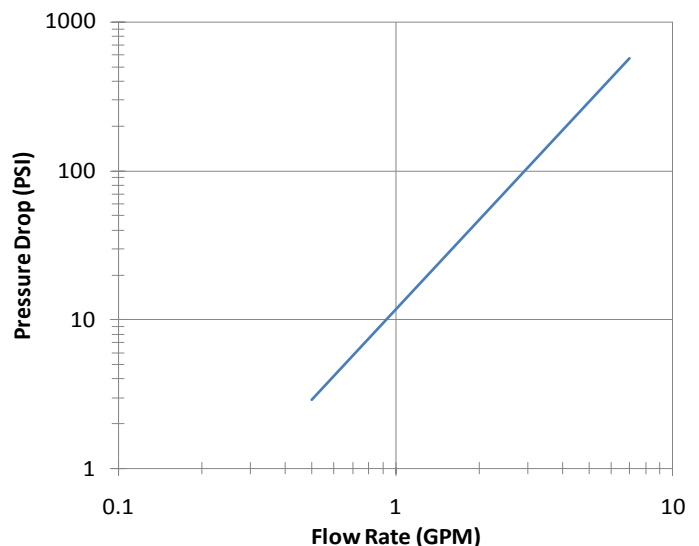
Full range of elastomeric seals available to suit service

Proven collet locking mechanism that provides surface contact over a broad area rather than conventional ball bearing technique

Absolutely no air inclusion dry seal

Flush for easy clean, no working part exposed - renders dust caps unnecessary

Completely serviceable, all components can be replaced



When ordering please quote the following part numbers:

COMPLETE COUPLING	FEMALE COUPLING	MALE COUPLING
QR10AC5-04SS	QR10AFBC5-04SS	QR10AMBC5-04SS